

Freedom Model Comparison



STYLE	SLIMLINE FREEDOM		FREEDOM		AMBIDEXTRIOUS FREEDOM	
Model	90-2042	90-2044S	90-1044	90-2044	90-1054	90-2054
Name	Freedom Side Delivery Dental Unit	Freedom Orthodontic/ Hygiene Delivery System	Freedom Dental Assistant's Cart	Freedom Rear Wall Dental Delivery System	Ambidextrous Dental Assistant's System	Ambidextrous Rear Wall Dental Delivery System

DELIVERY SYSTEM:						
Stainless Steel Handpiece Control Block with Auto Handpiece Activation and Individual Handpiece Pressure Adjustments	2 Position	2 Position	N/A	2 Position	N/A	2 Position
Standard Air High Speed Connections	One	One	N/A	One	N/A	One
Standard Air High/Low Speed Connections	One	One	N/A	One	N/A	One
Air/Water Syringe with Quick Release Tip and Stainless Steel Needle Valve Flow Controls with Color Indicator Knobs	One	One	One	One	One	One
White Silk™ Smooth Lightweight Jacketed Straight Handpiece Instrument Tubing, Color White	50"	50"	50"	50"	60"	60"
White Silk™ Smooth, Non-Stick Suction Instrument Handpiece Tubing, Color White	N/A	✓	✓	✓	✓	✓
ASI Tru-Fit Articulating/Ratcheting Handpiece Holders to allow optimized handpiece positioning. Includes Instrument Identification Labeling	✓	✓	✓	✓	✓	✓
Optional Handpiece Holder Auto Lock Out Feature	✓	✓	✓	✓	✓	✓
Extruded 12 Sided Handpiece Holder Bar to Accommodate Additional Holders	✓	✓	✓	✓	✓	✓
Master Chip Air Flow Adjustment for optimized handpiece coolant spray adjustment and off position for surgical use.	✓	✓	N/A	✓	N/A	✓
Individual Coolant Adjustments with Color Indicated Knobs	✓	✓	✓	✓	✓	✓
Stainless Steel Non Drip/Non Retracting Water Relay Valve	✓	✓	N/A	✓	N/A	✓
Variable Speed Foot Control with Water On/Off Toggle Valve. Sound Dampened Exhaust for Quiet Use.	✓	✓	N/A	✓	N/A	✓

ASSISTANTS INSTRUMENT DELIVERY:						
Air/Water Syringe	N/A	Included Above	Included Above	Included Above	Included Above	Included Above
Titanium High Volume Evacuator Handpiece with Easy Clean Removable Valve. Autoclavable and Chemically Resistant Titanium Construction	N/A	✓	✓	✓	✓	✓
Titanium Saliva Ejector Handpiece with Easy Clean Removable Valve. Autoclavable and Chemically Resistant Titanium Construction	N/A	✓	✓	✓	✓	✓
Solids Trap Housing with Replaceable Filter Baskets	N/A	✓	✓	✓	✓	✓

Freedom Model Comparison



STYLE	SLIMLINE FREEDOM		FREEDOM		AMBIDEXTROUS FREEDOM	
Model	90-2042	90-2044S	90-1044	90-2044	90-1054	90-2054
Name	Freedom Side Delivery Dental Unit	Freedom Orthodontic/ Hygiene Delivery System	Freedom Dental Assistant's Cart	Freedom Rear Wall Dental Delivery System	Ambidextrous Dental Assistant's System	Ambidextrous Rear Wall Dental Delivery System

WATER SYSTEM:						
Single One Liter Water Supply	✓	✓	✓	✓	✓	✓
Heavy Duty, Quick Turn Thread Bottle with wide 38mm Mouth size	✓	✓	✓	✓	✓	✓
DentaPure Water Line Disinfection Cartridge for One Year Treatment. Replaceable Cartridge.	✓	✓	✓	✓	✓	✓

STORAGE AND ACCESSORY BRACKET ITEMS:						
Small Drawers 2.5" H x 14.75" W x 10" D	3	3	3	3	3	3
Large Drawers 5" H x 14.75" W x 10" D	3	3	3	3	3	3
Convenience Air, Water Quick Connects and Power Outlets for operation of table top instruments	✓	✓	✓	✓	✓	✓
Back Rail	✓	✓	✓	✓	✓	✓
Dovetail Rail (90-B019)	Optional (1)	Optional (1)	N/A	N/A	✓ (2)	✓ (2)
Dual Storage Tubs (90-B001)	✓	✓	✓	✓	✓	✓
Flat Accessory Rear Tray (90-B012)	✓	✓	✓	✓	✓	✓
Small Medical Waste Trash Can (90-B021)	✓	✓	✓	✓	✓	✓
Disinfecting Wipe Dispenser Holder (90-B004)	Optional	Optional	Optional	Optional	✓	✓
Sharps Container Holder (90-B002)	Optional	Optional	Optional	Optional	✓	✓
Glove Dispenser (90-B008)	Optional	Optional	Optional	Optional	Optional	Optional
Mask Box Dispenser Holder (90-B004)	Optional	Optional	Optional	Optional	Optional	Optional
3 Gallon Waste Bin	N/A	N/A	N/A	N/A	✓	✓

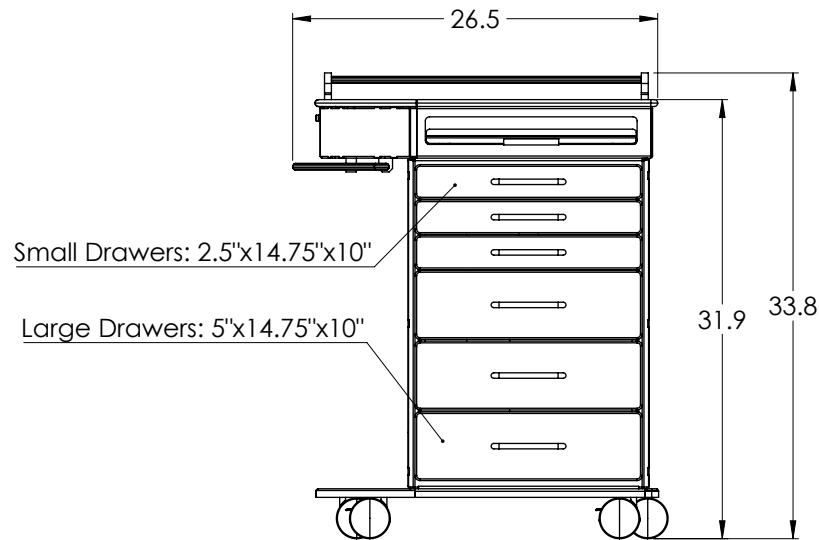
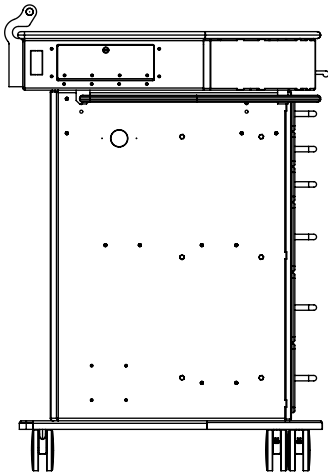
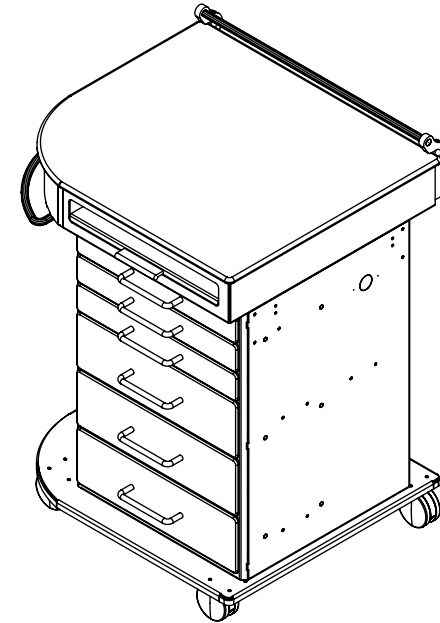
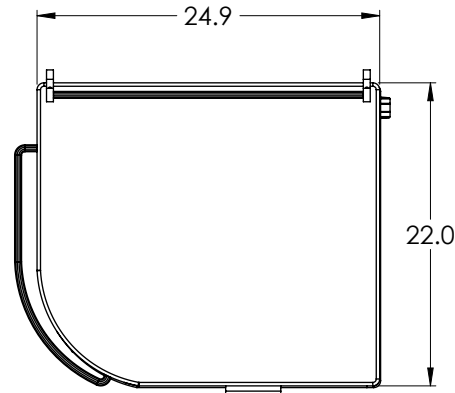
Freedom Model Comparison



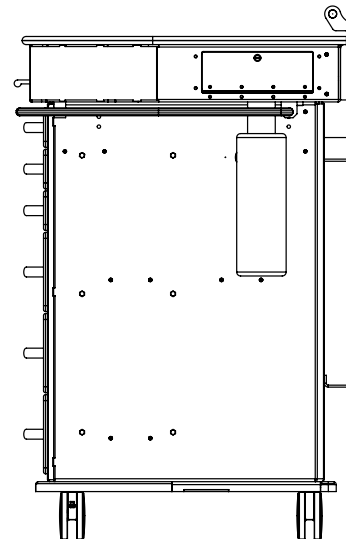
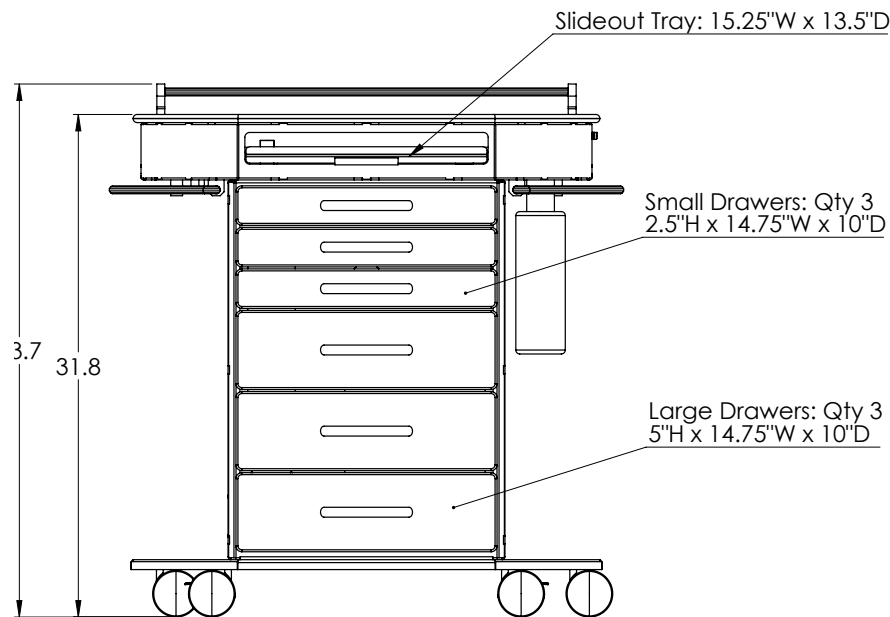
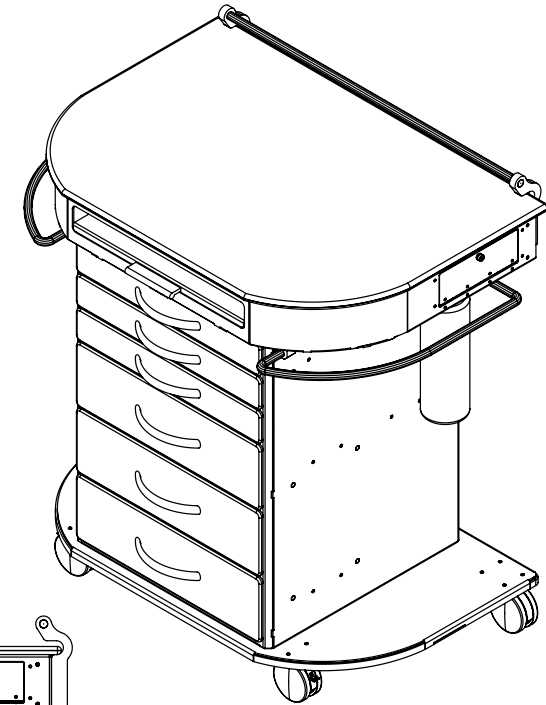
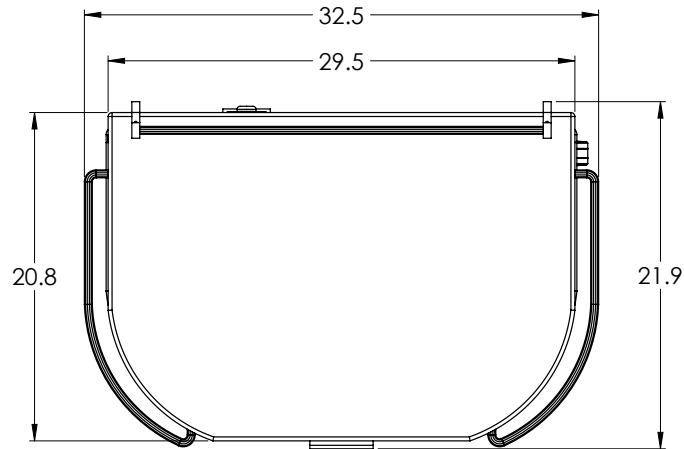
STYLE	SLIMLINE FREEDOM		FREEDOM		AMBIDEXTROUS FREEDOM		
	Model	90-2042	90-2044S	90-1044	90-2044	90-1054	90-2054
Name		Freedom Side Delivery Dental Unit	Freedom Orthodontic/ Hygiene Delivery System	Freedom Dental Assistant's Cart	Freedom Rear Wall Dental Delivery System	Ambidextrous Dental Assistant's System	Ambidextrous Rear Wall Dental Delivery System

CONSTRUCTION:						
MetalCraft Architecture for Chassis Construction Utilizing High Grade Aluminum with Robust Material Thickness of .125". Feature elements include rounded and curved edging for smooth, easier to clean surfaces.	✓	✓	✓	✓	✓	✓
Finishing complete with Strong Powder Coat Paint resistant to scratches and repeated chemical disinfection.	✓	✓	✓	✓	✓	✓
Non-Porous Worktop	Wilsonart Solid Surface, White	Wilsonart Solid Surface, White	Wilsonart Solid Surface, White	Wilsonart Solid Surface, White	Engineered Stone Top, Choice of Color Selection	Engineered Stone Top, Choice of Color Selection
Heavy Duty Dual Wheel Casters, with Front Locking Capability.	3"	3"	3"	3"	3"	3"
Dual Pole, Circuit Breaker Switching and Hospital Grade Wired Electrical Outlets	✓	✓	✓	✓	✓	✓

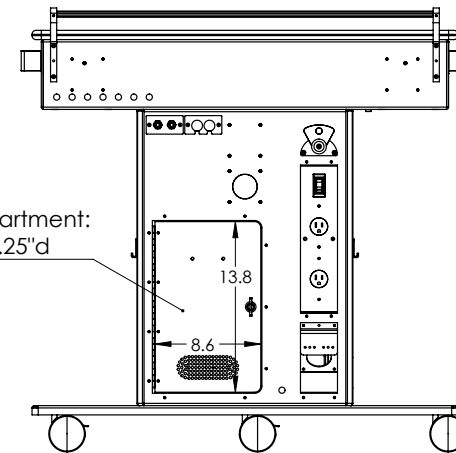
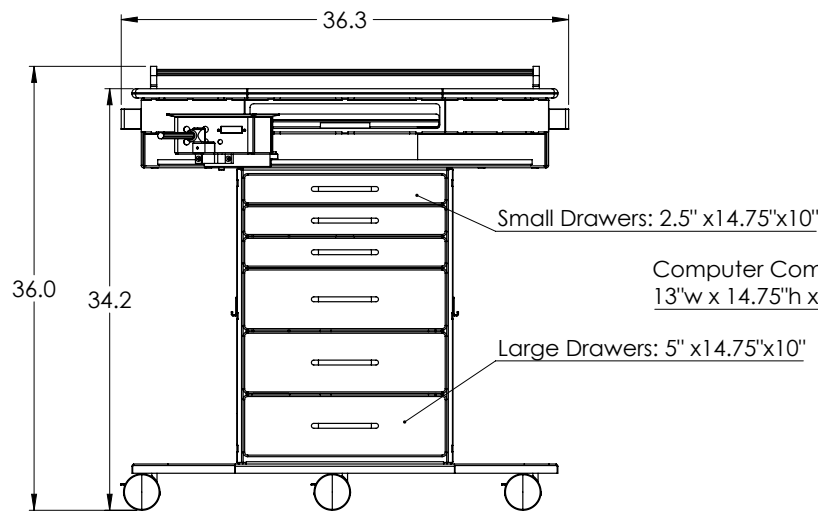
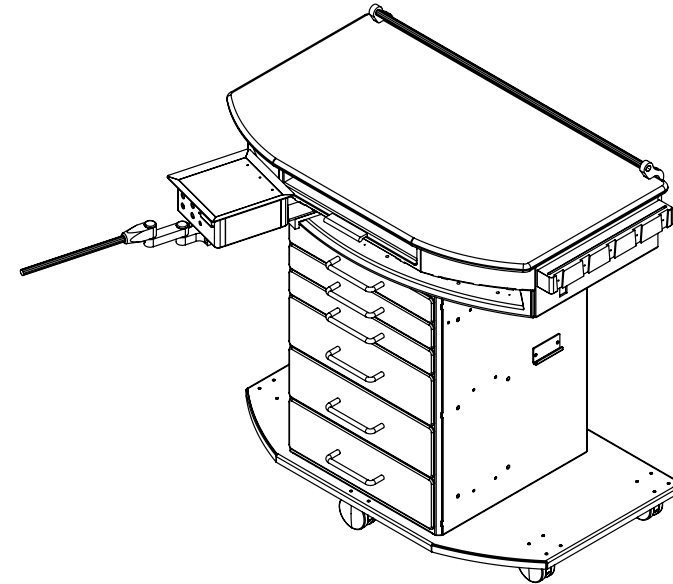
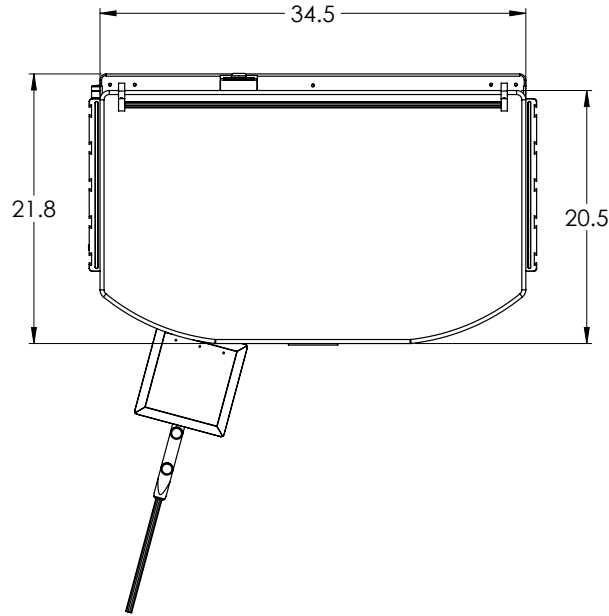
SPECIFICATIONS:						
Dimensions:						
Height	33.8	33.8	33.7	33.7	36	36
Width	26.6	26.6	32.5	32.5	36.3	36.3
Depth	22	22	21.9	21.9	21.8 Excludes depth of delivery arm	21.8 Excludes depth of delivery arm
Weight	146lbs	146lbs	146lbs	146lbs	146lbs	146lbs
Electrical Specification, 10 Amp rating with operating voltage of 120 volts/60Hz or 5Amp rating with operating voltage of 230volts/50Hz	✓	✓	✓	✓	✓	✓



The information contained in this drawing is the sole property of ASI Medical Inc. Any reproduction in part or as a whole without written permission of ASI Medical inc. is prohibited.



The information contained in this drawing is the sole property of ASI Medical Inc. Any reproduction in part or as a whole without written permission of ASI Medical inc. is prohibited.



The information contained in this drawing is the sole property of ASI Medical Inc. Any reproduction in part or as a whole without written permission of ASI Medical inc. is prohibited.