



STYLE	Doctors Cart	Assistants Cart		Full Restorative			Orthodontic/ Hygiene	
Model	90-2015	90-2005	90-2006	90-2025	90-2026	90-2126	90-2021	90-2026S
Name	Triton Doctors Cart Slimline Freedom	Freedom Suction	Triton Assistants Cart	Restorative Delivery System	Freedom Dental Delivery System	Trtion Ambidextrous Delivery System	Orthodontic Hygiene System	Freedom Slimline Orthodontic/ Hygiene System

DELIVERY SYSTEM:								
-Stainless Steel Handpiece Control Block with Auto Handpiece Activation and Individual Handpiece Pressure Adjustments	5 Position	N/A	N/A	5 Position	2 Position	3 Position	2 Position	2 Position
-Standard Air High Speed Connections	Two	N/A	N/A	Two	One	One	One	One
-Standard Air High/Low Speed Connections	One	N/A	N/A	One	One	One	One	One
-Air/Water Syringe with Quick Release Tip and Stainless Steel Needle Valve Flow Controls with Color Indicator Knobs	One	N/A	One	Two	One	One	One	One
White Silk™ Smooth, Lightweight Jacketed Straight Handpiece Instrument Tubing. Replaceable Screw on Connection. Color White	60"	N/A	N/A	60"	60"	60"	60"	60"
White Silk™ Smooth, Non-Stick Suction Instrument Handpiece Tubing, Color White	N/A	60"	60"	60"	60"	60"	60"	60"
ASI Tru-Fit Articulating/Ratcheting Handpiece Holders to allow Optimized Handpiece positioning. Includes Instrument Identification Labeling	✓	✓	✓	✓	✓	✓	✓	✓
Handpiece Holder Auto Lock Out Feature	✓	✓	✓	✓	✓	✓	✓	✓
Extruded 12 Sided Handpiece Holder Bar to Accommodate Additional Holders	✓	✓	✓	✓	✓	✓	✓	✓
Center Point Grab Handle for Cart Positioning	N/A	N/A	N/A	✓	N/A	N/A	✓	N/A
Master Chip Air Flow Adjustment for Optimized Handpiece Coolant Spray Adjustment and Off Position for Surgical Use.	✓	N/A	N/A	✓	✓	✓	✓	✓
Individual Coolant Adjustments with Color Indicated Knobs	✓	N/A	N/A	✓	✓	✓	✓	✓
Stainless Steel Non Drip/Non Retracting Water Relay Valve	✓	N/A	N/A	✓	✓	✓	✓	✓
Variable Speed Foot Control with Water On/OFF Toggle Valve. Sound Dampened Exhaust for Quiet Use	✓	N/A	N/A	✓	✓	✓	✓	✓

ASSISTANTS INSTRUMENT DELIVERY:								
Air/Water Syringe	N/A	N/A	Included Above	Included Above	Included Above	Included Above	Included Above	Included Above
Titanium High Volume Evacuator Handpiece with Easy Clean Removable Valve. Autoclavable and Chemically Resistent Titanium Construction	N/A	✓	✓	✓	✓	✓	✓	✓
Titanium Saliva Ejector Handpiece with Easy Clean Removable Valve. Autoclavable and Chemically Resistent Titanium Construction	N/A	✓	✓	✓	✓	✓	✓	✓
Solids Trap Housing with Replaceable Filter Baskets	N/A	✓	✓	✓	✓	✓	✓	✓



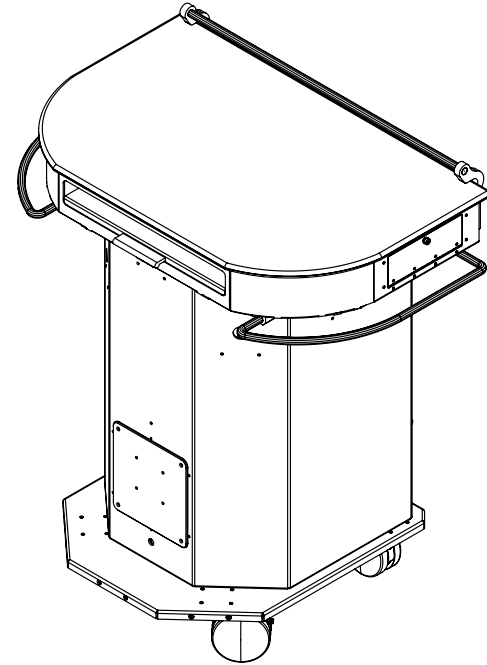
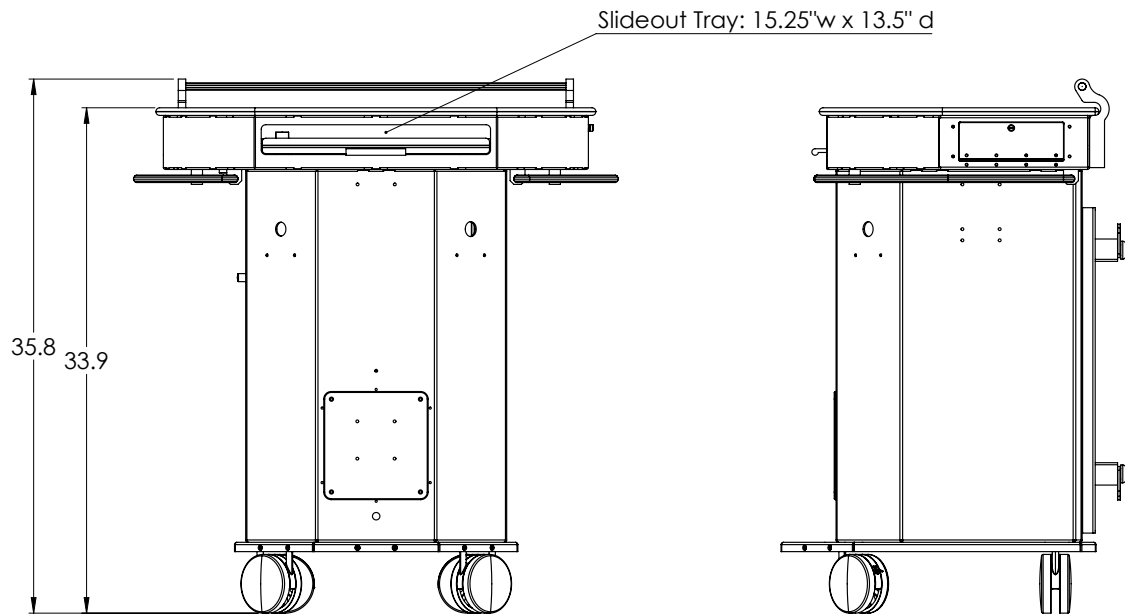
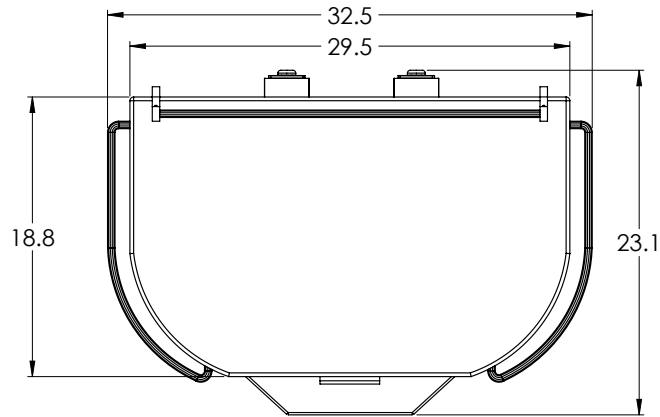
STYLE	Doctors Cart	Assistants Cart		Full Restorative			Orthodontic/ Hygiene	
Model	90-2015	90-2005	90-2006	90-2025	90-2026	90-2126	90-2021	90-2026S
Name	Triton Doctors Cart Slimline Freedom	Freedom Suction	Triton Assistants Cart	Restorative Delivery System	Freedom Dental Delivery System	Trtion Ambidextrous Delivery System	Orthodontic Hygiene System	Freedom Slimline Orthodontic/ Hygiene System

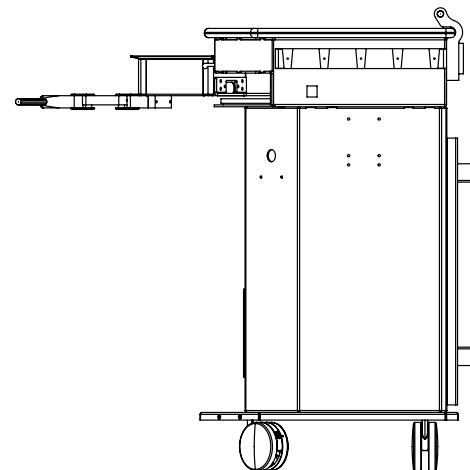
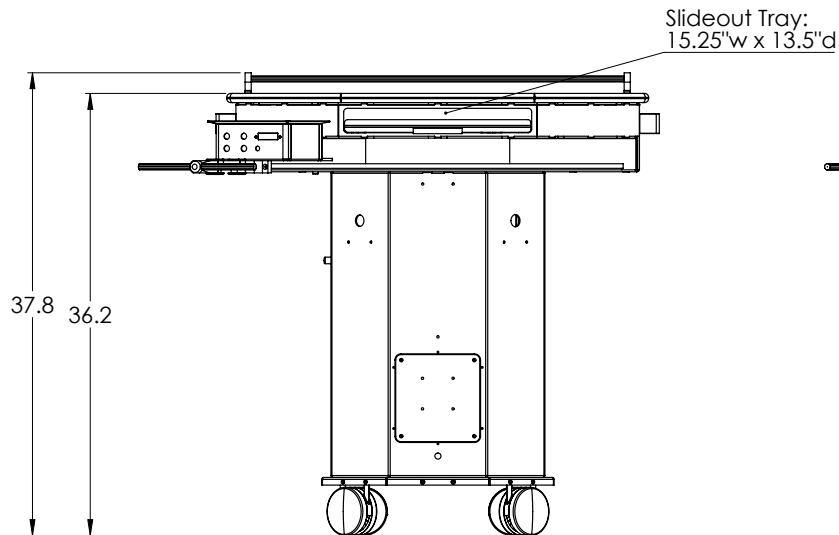
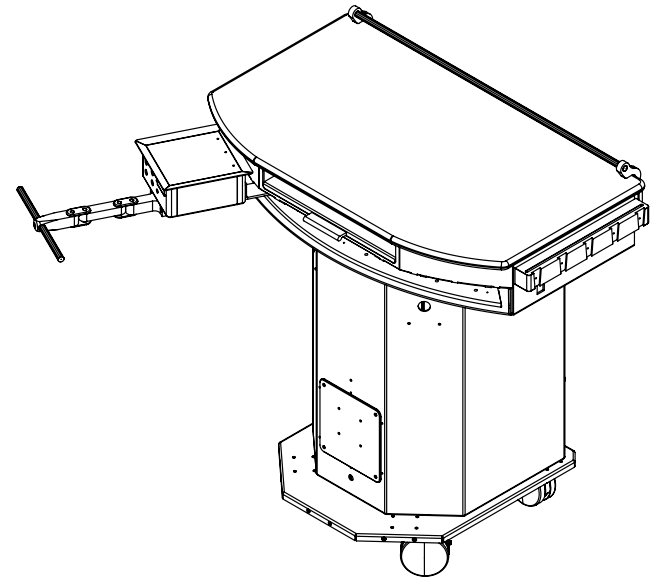
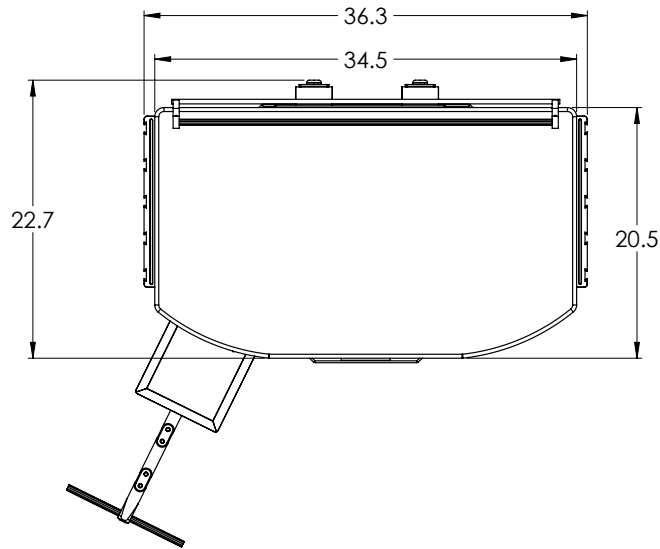
WATER SYSTEM:								
Tandem Two Liter Water Supply with water auto fill to primary bottle	N/A	✓	✓	✓	✓	✓	✓	✓
Heavy Duty, Quick Turn Thread Bottle with wide 38 MM Mouth size	N/A	✓	✓	✓	✓	✓	✓	✓
DentaPure Water Line Disinfection Cartridge for One Year Treatment. Replaceable Cartridge	N/A	✓	✓	✓	✓	✓	✓	✓

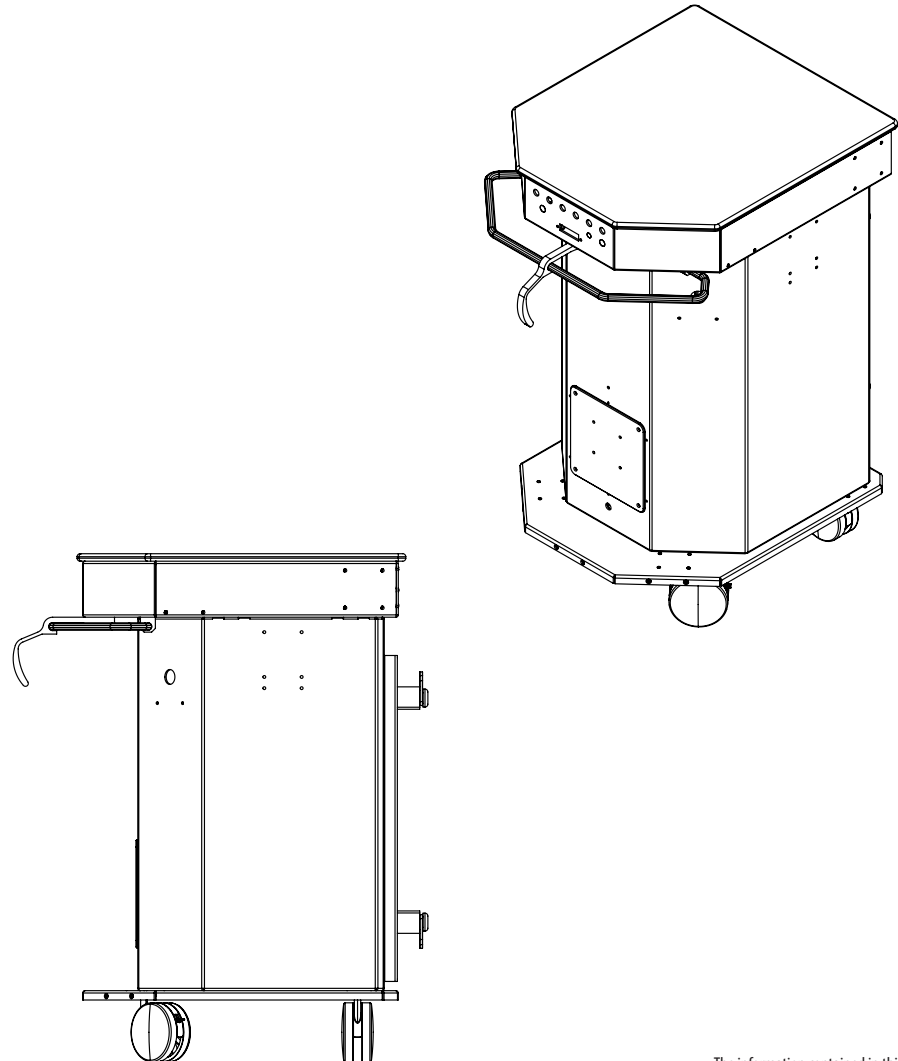
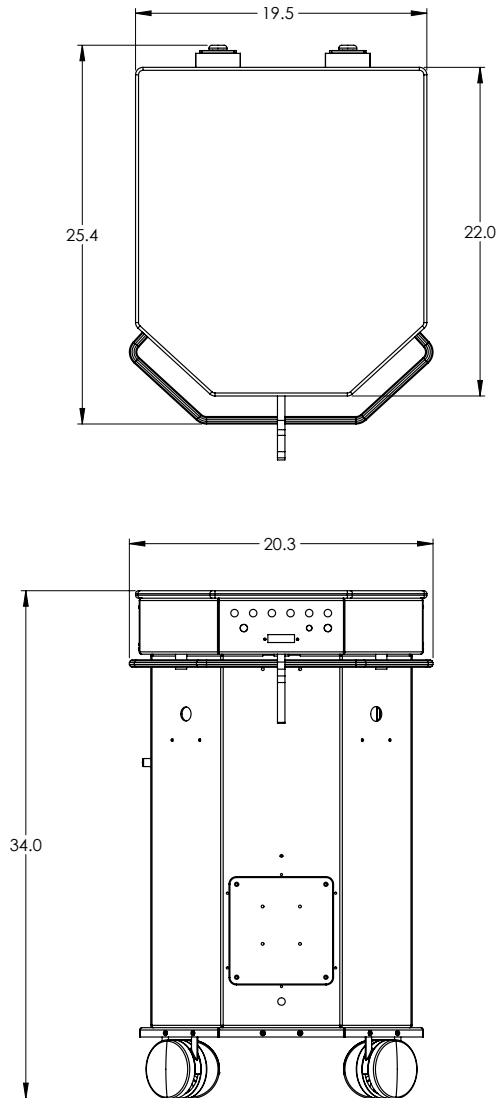
AIR COMPRESSOR SYSTEM:								
Dynamically balanced, medical grade oil-less air compressor with auto pressure switch, solenoid unloader and corrosion resistant check vavle manifold for extended operation.	N/A	✓	✓	✓	✓	✓	✓	✓
Operating Pressure to 100 psi, dedicated one half horse power motor for operation of handpieces	N/A	✓	✓	✓	✓	✓	✓	✓
Two Stage Sound Reduction Attenuator and Muffler System for ultra quiet operation	N/A	✓	✓	✓	✓	✓	✓	✓
Spring Mounted Isolation System for Vibration Reduction	N/A	✓	✓	✓	✓	✓	✓	✓
Dual Anodized Aluminum Air Tank System	N/A	✓	✓	✓	✓	✓	✓	✓
Pressure Regulator with Condensate Air Tank Purge Valve	N/A	✓	✓	✓	✓	✓	✓	✓

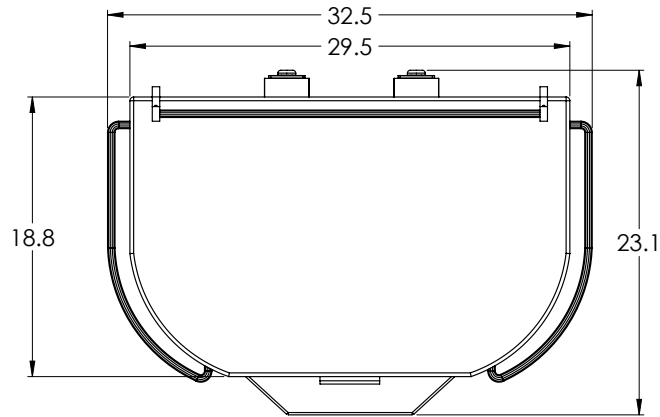
DENTAL VACUUM SYSTEM:								
Dynamically balanced, medical grade oil-less vacuum pump with auto vacuum relief valve.	✓	N/A	✓	✓	✓	✓	✓	✓
Adjustabel Vacuum strength of 10 to 20" Hg, dedicated one half horse power motor for high suction flow operation of handpieces	✓	N/A	✓	✓	✓	✓	✓	✓
Two Stage Sound Reduction Attenuator and Muffler System for ultra quiet operation	✓	N/A	✓	✓	✓	✓	✓	✓
Spring Mounted Isolation System for Vibration Reduction	✓	N/A	✓	✓	✓	✓	✓	✓
Suction canister with auto flow shut off vavle	✓	N/A	✓	✓	✓	✓	✓	✓
Indicator light when suction canister is full	✓	N/A	✓	✓	✓	✓	✓	✓
Electric purge pump system for hands free removal of liquid contents of suction canister.	✓	N/A	✓	✓	✓	✓	✓	✓











Slideout Tray: 15.25"w x 13.5" d

